

HVAC Plenum Sensor

Quick Setup Guide



About this Quick Setup Guide

This Quick Setup Guide will provide step-by-step instructions that walk you through the installation of the Emme HVAC Plenum Sensor.

If technical assistance is required during the installation and setup process, our Technical Support team is available to answer your questions:

- Technical Support: 1-877-901-1932
- Email Support: support@getEmme.com

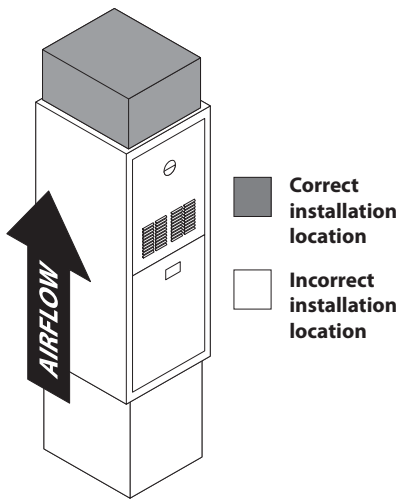
Before you Begin

The Emme HVAC Plenum Sensor has been designed and intended to be installed by an HVAC service professional trained in indoor environmental equipment.

This Quick Setup Guide explains the process for installing the Emme HVAC Plenum Sensor; please read through this guide before beginning the installation process.

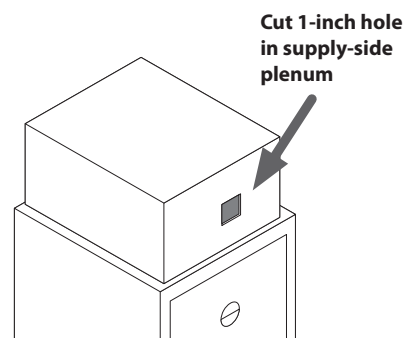
1 Determine placement

Find the best location for the HVAC Plenum Sensor on the supply-side plenum of the air handler/furnace.



2 Cut access hole

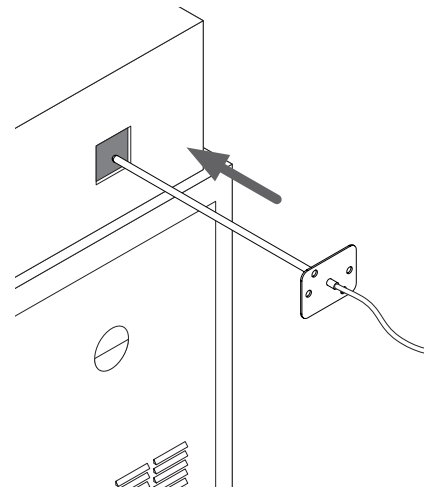
Cut or drill a 1-inch hole for the HVAC Plenum Sensor to be installed into the supply-side plenum.



NOTE: Be sure the hole is clear of any obstructions before inserting the HVAC Plenum Sensor.

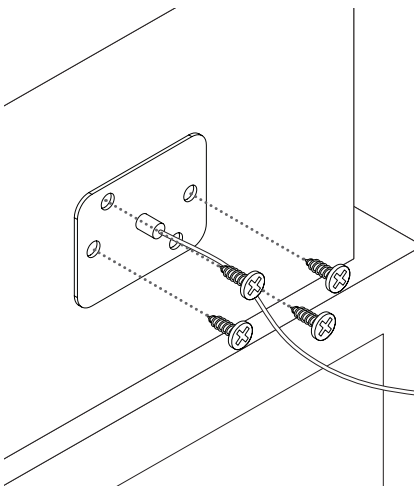
3 Mount the HVAC Plenum Sensor

Insert the HVAC Plenum Sensor into the hole you made in the supply-side plenum.



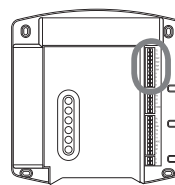
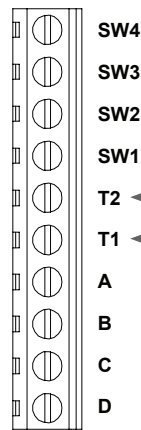
4 Secure the HVAC Plenum Sensor

Secure the HVAC Plenum Sensor to the supply-side plenum, (screws not included).



5 Wire to the Equipment Interface Panel

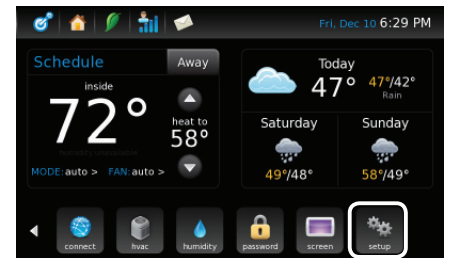
Route the wire from the HVAC Plenum Sensor to the Equipment Interface Panel. Connect the wires to the Equipment Interface Panel terminals T1 and T2.



Wire HVAC Plenum Sensor to terminals T1 and T2

6 Press the *setup* button

At the Emme Core Display and Control Unit, press **setup** on the menu bar on the main screen.



Continued on back ►

HVAC Plenum Sensor

Quick Setup Guide



Continue Here ▼

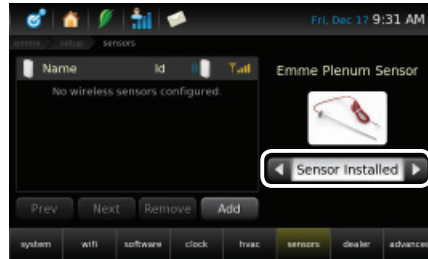
7 Press the *sensors* button

Press the **sensors** button on the install screen.



8 Select *Sensor Installed*

Select **Sensor Installed** from the options presented for the **Emme Plenum Sensor**.



9 Verify the HVAC Plenum Sensor is working

Select the **hvac** button. Underneath the diagram of the heating and cooling system it will display the plenum temperature. Check to ensure the temperature seems reasonable for the current conditions.

