

Wireless Receiver Unit

Quick Setup Guide



About this Quick Setup Guide

This Quick Setup Guide will provide step-by-step instructions that walk you through the installation of the Emme Wireless Receiver Unit.

If technical assistance is required during the installation and setup process, our Technical Support team is available to answer your questions:

- Technical Support: 1-877-901-1932
- Email Support: support@getEmme.com

Before you Begin

The Emme Wireless Receiver Unit has been designed and intended to be installed by an HVAC service professional trained in indoor environmental equipment.

This Quick Setup Guide explains the process for installing the Emme Wireless Receiver Unit; please read through this guide before beginning the installation process.

1 Choose a location for the Wireless Receiver Unit

Mounting surface must be clean, level and free of obstructions.



Avoid metal or masonry structures that could interfere with signal reception.

2 Temporarily mount the Wireless Receiver Unit

Inspect and evaluate locations for the receiver, taking into account the signal paths from all Wireless Temperature Sensors and the Wireless Outdoor Temperature Sensor (Optional).

At the best location, temporarily mount the Wireless Receiver Unit such that the antennas are vertical with the LED Status Indicator lights toward the top of the Wireless Receiver.

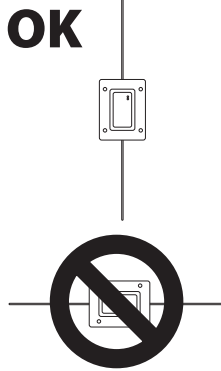


As a last resort you can mount the Wireless

Receiver Unit so the antennas are horizontal if this makes mounting the wireless receiver or routing cable easier.

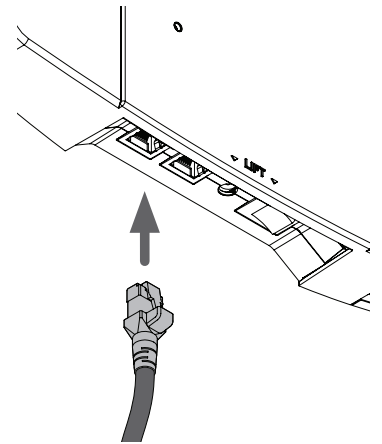
Note: The horizontal position decreases signal strength.

OK



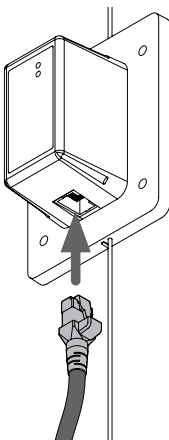
3 Connect the Cat 5 cable to the Equipment Interface Panel (EIP)

Connect one end of the Cat 5 cable to the RJ-45 port on the bottom of the EIP. Either port is acceptable.



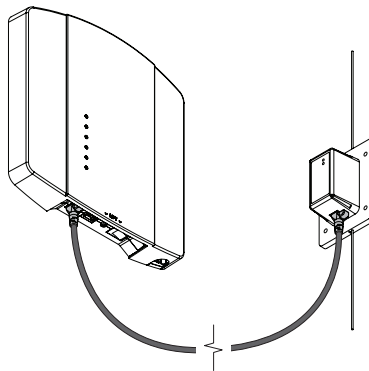
4 Connect the Cat 5 cable to the Wireless Receiver Unit

Connect the other end of the Cat 5 cable to the RJ-45 connection port on the Wireless Receiver Unit.



5 Route the Cat 5 cable

Loosely route the cable from the Wireless Receiver Unit towards the EIP in the path that would be used if this Wireless Receiver location were made permanent.



6 Coil the Cat 5 cable

Coil the excess wire at the EIP to minimize the effect of the extra wire on signal reception. The Wireless Receiver is now ready for reception testing.



Continued on back ►

Wireless Receiver Unit

Quick Setup Guide



Continue Here ▼

7 Mount Wireless Temperature Sensors and check reception

Install the Wireless Temperature Sensors and check reception quality. Refer to the Wireless Temperature Sensors Quick Setup Guide for installation information. Each Wireless Temperature Sensor should have a minimum of two bars of reception.



From the main screen on the Emme Core Display and Control Unit press the **sensors** button



Verify all Wireless Temperature Sensors have at least two bars of reception. Try moving the Wireless Receiver Unit if reception needs to be improved.

8 Mount the Wireless Receiver Unit

Once reception testing is complete and the position is deemed satisfactory, mount the Wireless Receiver Unit with suitable mounting screws (not included).

